

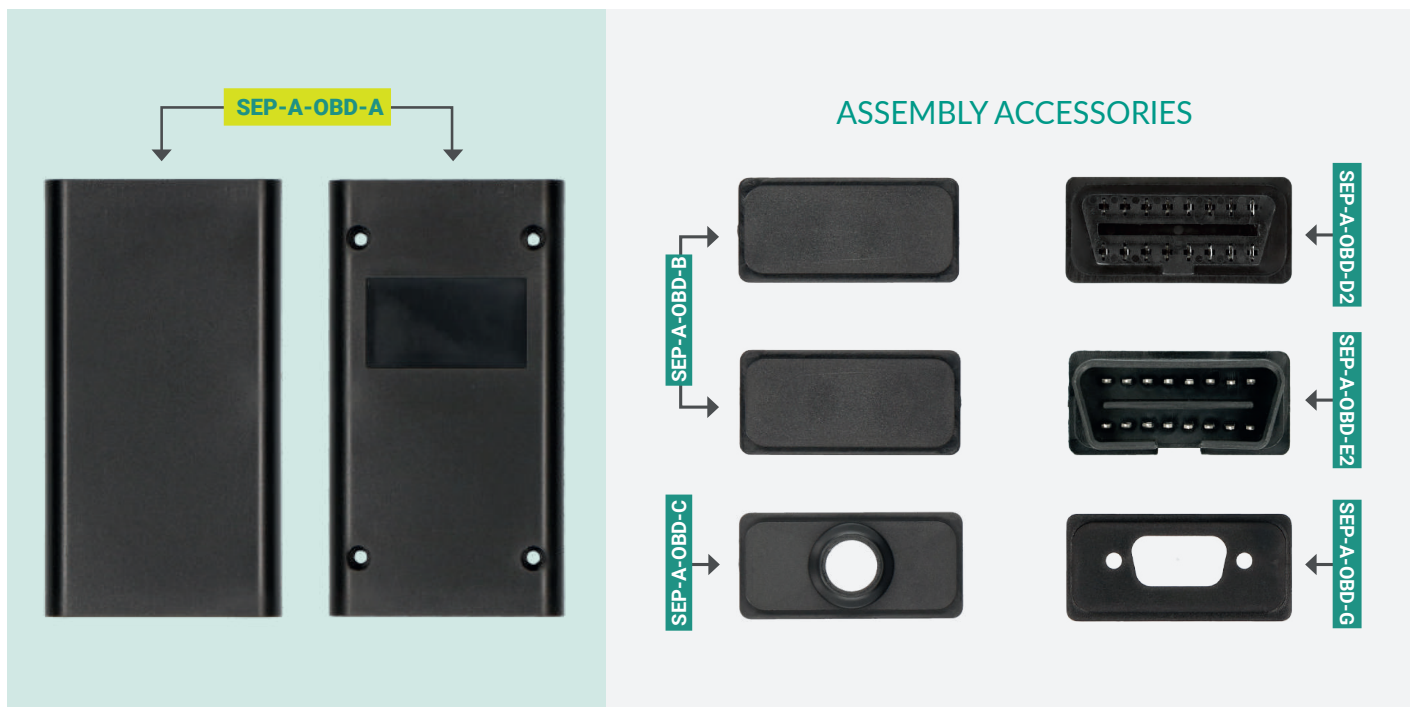
Vers. 1.4

MODULAR CASES AND DIAGNOSTIC CONNECTORS FOR ELECTRONICS



minitools®

SEP-A-OBD-A CASE

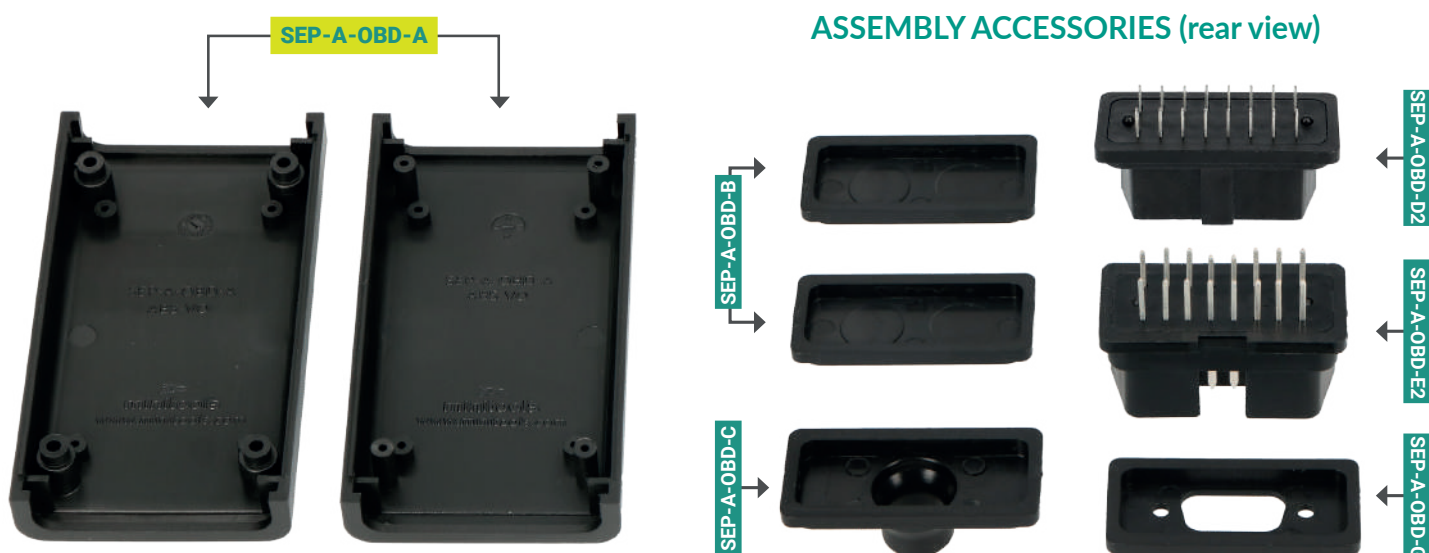


Modular enclosure for various uses, e.g. assembling an OBD2 diagnostic connector.

All case components are made in ABS V0 plastic and offer the following features:

- They are self-extinguishing;
- They offer excellent electrical resistance, protecting electrical systems or electronic circuits;
- They are resistant to stripping if screws are used;
- They are rigid and sturdy even at low temperatures.

Colour: Black



Products details







Code	Description	Size	Datasheet
SEP-A-OBD-A	Central box	88 x 48 x 24 mm	Page 13
SEP-A-OBD-B	Side caps (2 pcs)	43 x 21 x 5 mm	Page 19
SEP-A-OBD-C	Cable grommet cap	43 x 21 x 15 mm	Page 20
SEP-A-OBD-D2	Female OBD2	43 x 21 mm	Page 21
SEP-A-OBD-E2	Male OBD2	43 x 21 mm	Page 22
SEP-A-OBD-G	Milled cap for 9 pin D-sub connector	43 x 21 x 5 mm	Page 23

Combinations examples

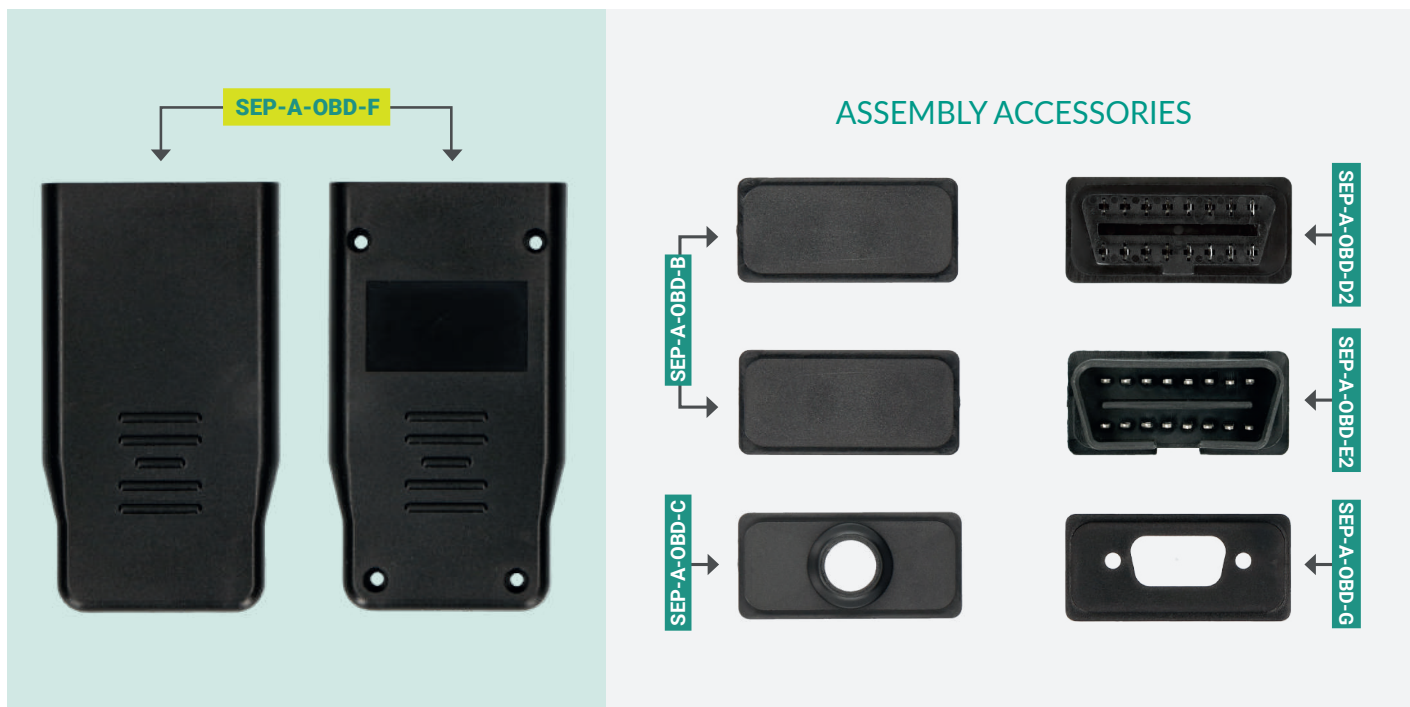
The case can be assembled in numerous ways.

E.g. if SEP-A-OBD-A is fitted to SEP-A-OBD-B, the box can be used as an electronics case.

If SEP-A-OBD-A is fitted to SEP-A-OBD-D2 and SEP-A-OBD-E2, the box can be used as a male to female OBD2 diagnostic.

SEP-A-OBD-A + SEP-A-OBD-E2 + SEP-A-OBD-B	SEP-A-OBD-A + SEP-A-OBD-E2 + SEP-A-OBD-D2	SEP-A-OBD-A + SEP-A-OBD-D2 + SEP-A-OBD-C
		
SEP-A-OBD-A + SEP-A-OBD-C + SEP-A-OBD-B	SEP-A-OBD-A + SEP-A-OBD-G + SEP-A-OBD-B	SEP-A-OBD-A + SEP-A-OBD-B
		

SEP-A-OBD-F CASE

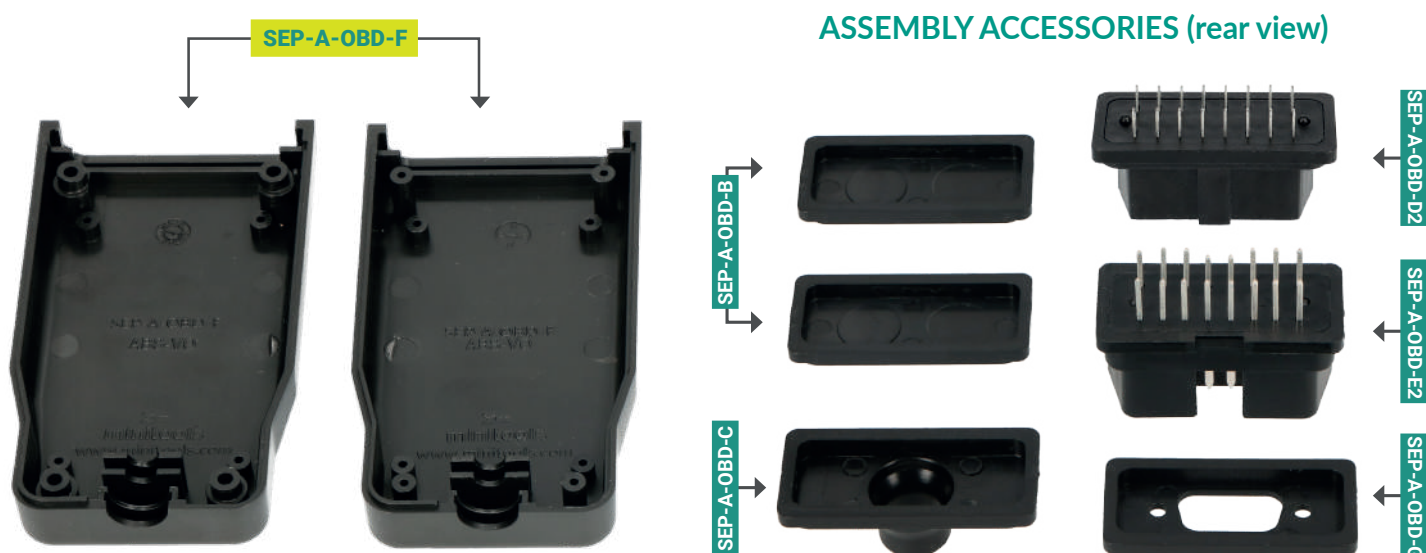


Modular enclosure for various uses, e.g. assembling an OBD2 diagnostic connector.

All case components are **made in ABS V0 plastic** and offer the following features:

- They are **self-extinguishing**;
- They offer **excellent electrical resistance**, protecting electrical systems or electronic circuits;
- They are **resistant to stripping** if screws are used;
- They are **rigid and sturdy** even at low temperatures.

Colour: Black








Products details

Code	Description	Size	Datasheet
SEP-A-OBD-F	Central box	86 x 48 x 24 mm	Page 14
SEP-A-OBD-B	Side caps (2 pcs)	43 x 21 x 5 mm	Page 19
SEP-A-OBD-C	Cable grommet cap	43 x 21 x 15 mm	Page 20
SEP-A-OBD-D2	Female OBD2	43 x 21 mm	Page 21
SEP-A-OBD-E2	Male OBD2	43 x 21 mm	Page 22
SEP-A-OBD-G	Milled cap for 9 pin D-sub connector	43 x 21 x 5 mm	Page 23

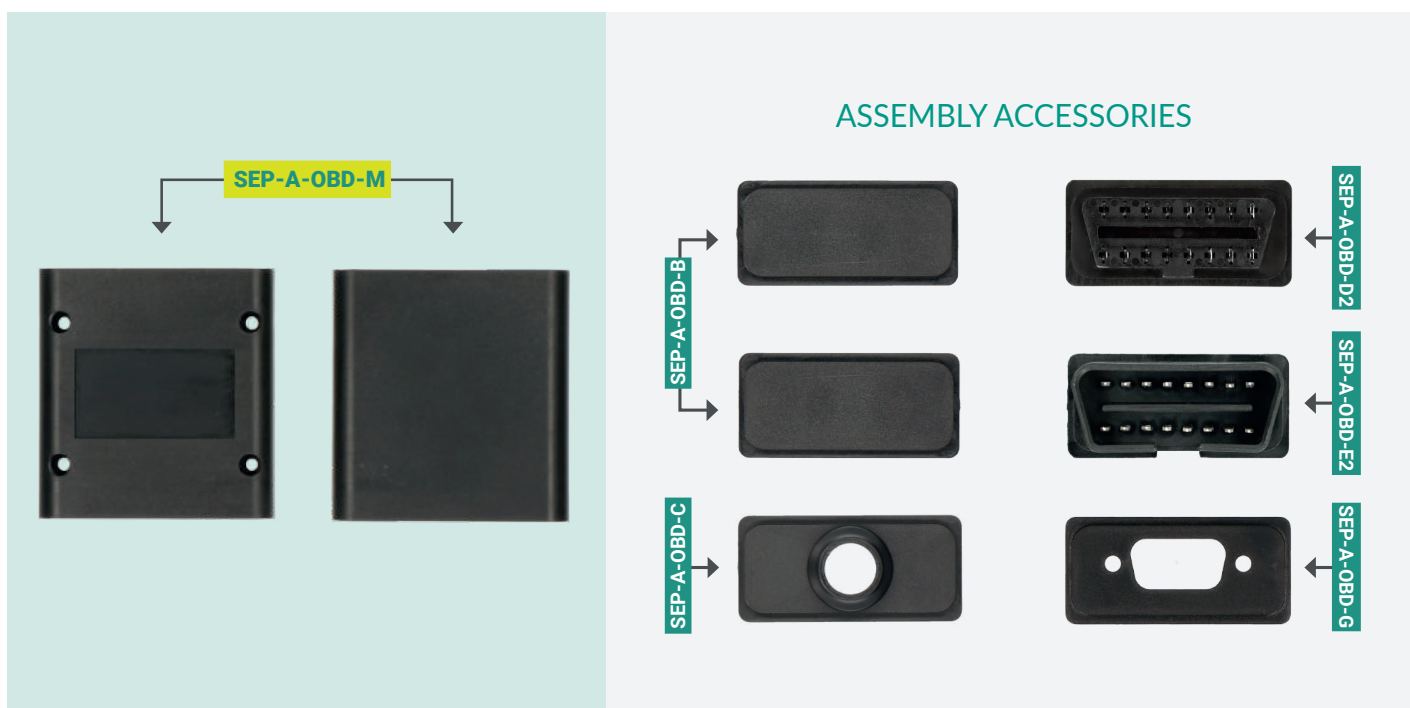
Combinations examples

The case can be assembled in numerous ways.

E.g. if SEP-A-OBD-F is fitted to SEP-A-OBD-B, the box can be used as an electronics case with cable grommet. If SEP-A-OBD-A is fitted to SEP-A-OBD-D2, the box can be used as a female OBD2 diagnostic.

SEP-A-OBD-F + SEP-A-OBD-E2	SEP-A-OBD-F + SEP-A-OBD-D2	SEP-A-OBD-F + SEP-A-OBD-G
		
SEP-A-OBD-F + SEP-A-OBD-C	SEP-A-OBD-F + SEP-A-OBD-B	
		

SEP-A-OBD-M CASE

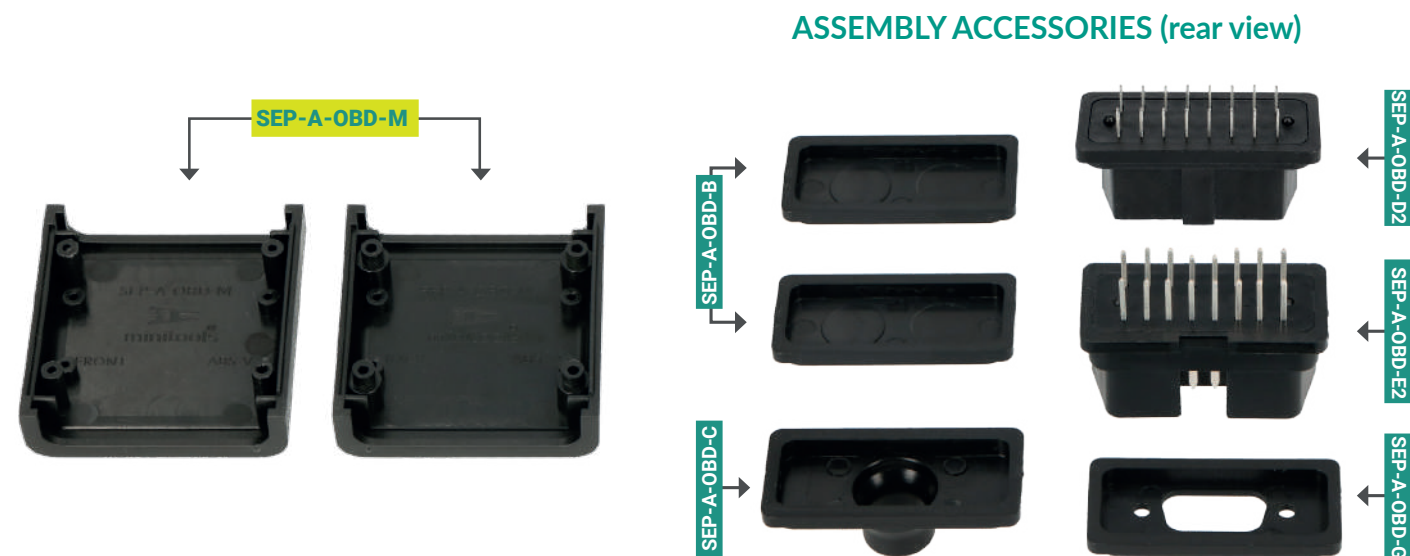


Modular enclosure for various uses, e.g. assembling an OBD2 diagnostic connector.

All case components are made out in ABS V0 plastic and offer the following features:

- They are self-extinguishing;
- They offer excellent electrical resistance, protecting electrical systems or electronic circuits;
- They are resistant to stripping if screws are used;
- They are rigid and sturdy even at low temperatures.

Colour: Black



Products details







Code	Description	Size	Datasheet
SEP-A-OBD-M	Central box	50 x 48 x 24 mm	Page 15
SEP-A-OBD-B	Side caps (2 pcs)	43 x 21 x 5 mm	Page 19
SEP-A-OBD-C	Cable grommet cap	43 x 21 x 15 mm	Page 20
SEP-A-OBD-D2	Female OBD2	43 x 21 mm	Page 21
SEP-A-OBD-E2	Male OBD2	43 x 21 mm	Page 22
SEP-A-OBD-G	Milled cap for 9 pin D-sub connector	43 x 21 x 5 mm	Page 23

Combinations examples

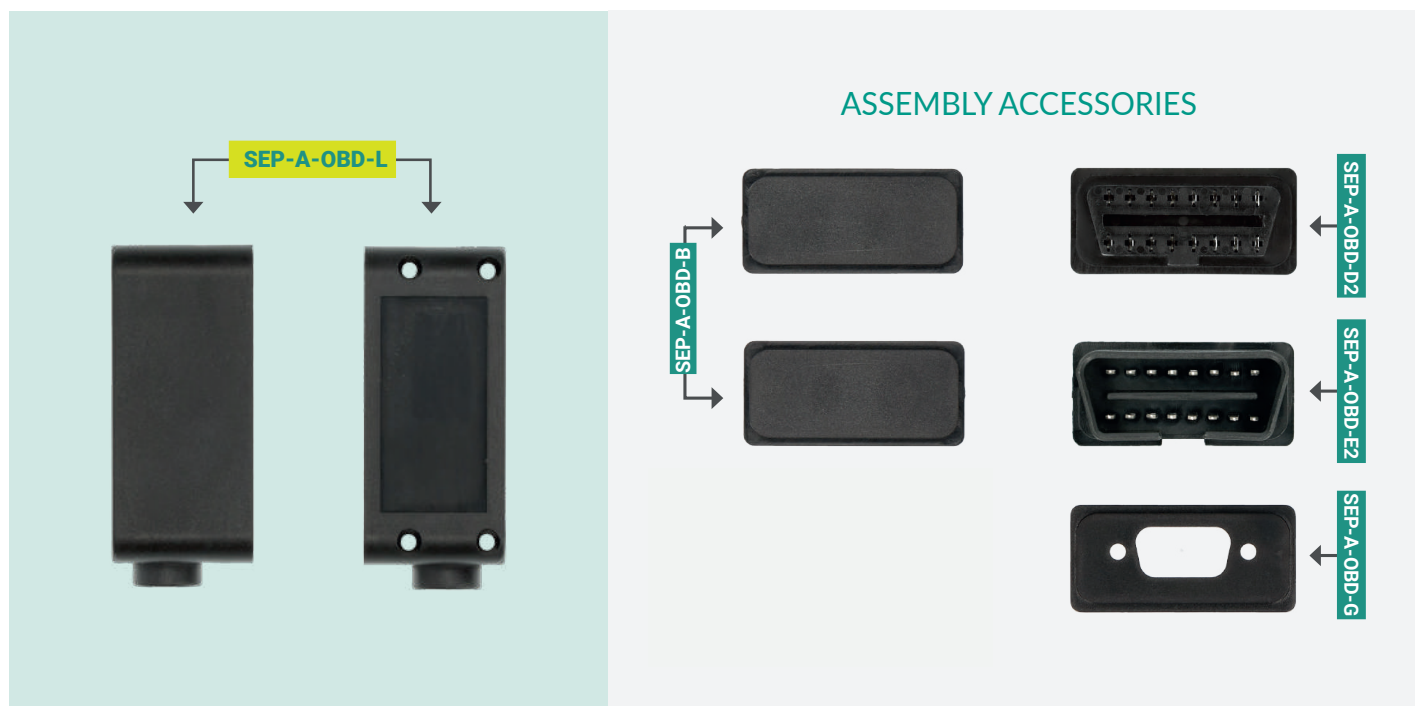
The case can be assembled in numerous ways

E.g. if SEP-A-OBD-M is fitted to SEP-A-OBD-B, the box can be used as an electronics case.

If SEP-A-OBD-M is fitted to SEP-A-OBD-D2 and SEP-A-OBD-E2, the box can be used as a male to female OBD2 diagnostic.

SEP-A-OBD-M + SEP-A-OBD-E2 + SEP-A-OBD-B	SEP-A-OBD-M + SEP-A-OBD-E2 + SEP-A-OBD-D2	SEP-A-OBD-M + SEP-A-OBD-D2 + SEP-A-OBD-C
		
SEP-A-OBD-M + SEP-A-OBD-C + SEP-A-OBD-E2	SEP-A-OBD-M + SEP-A-OBD-G + SEP-A-OBD-B	SEP-A-OBD-M + SEP-A-OBD-B
		

SEP-A-OBD-L CASE



Modular enclosure for various uses, e.g. assembling an OBD2 diagnostic connector with 90° cable grommet. All case components are made in ABS V0 plastic and offer the following features:

- They are self-extinguishing;
- They offer excellent electrical resistance, protecting electrical systems or electronic circuits;
- They are resistant to stripping if screws are used;
- They are rigid and sturdy even at low temperatures.

Colour: Black







Products details

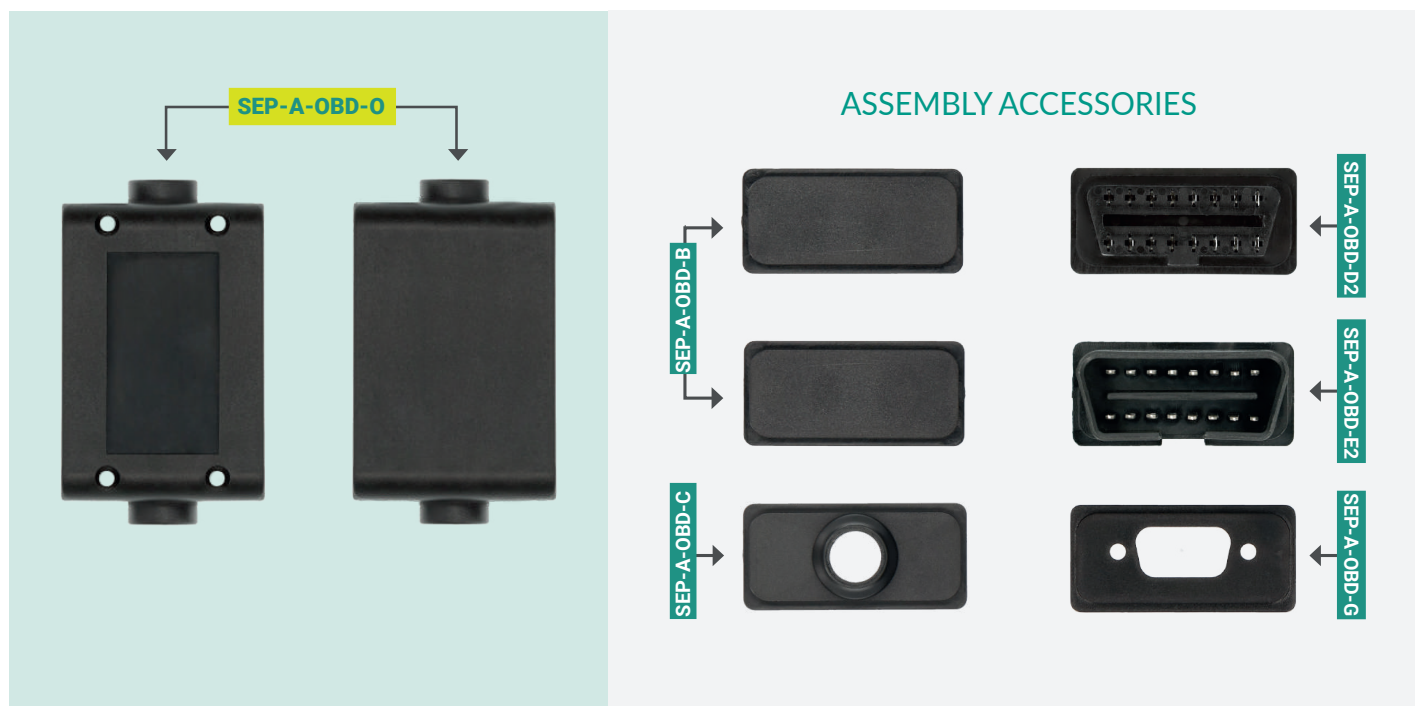
Code	Description	Size	Datasheet
SEP-A-OBD-L	Central box	51 x 22 x 24 mm	Page 16
SEP-A-OBD-B	Side caps (2 pcs)	43 x 21 x 5 mm	Page 19
SEP-A-OBD-D2	Female OBD2	43 x 21 mm	Page 21
SEP-A-OBD-E2	Male OBD2	43 x 21 mm	Page 22
SEP-A-OBD-G	Milled cap for 9 pin D-sub connector	43 x 21 x 5 mm	Page 23

Combinations examples

If SEP-A-OBD-L is fitted to SEP-A-OBD-B, the box can be used as a simple electronics case with 90° cable grommet.

SEP-A-OBD-L + SEP-A-OBD-B + SEP-A-OBD-E2	SEP-A-OBD-L + SEP-A-OBD-B + SEP-A-OBD-D2
	
SEP-A-OBD-L + SEP-A-OBD-B + SEP-A-OBD-G	SEP-A-OBD-L + SEP-A-OBD-B
	

SEP-A-OBD-O CASE

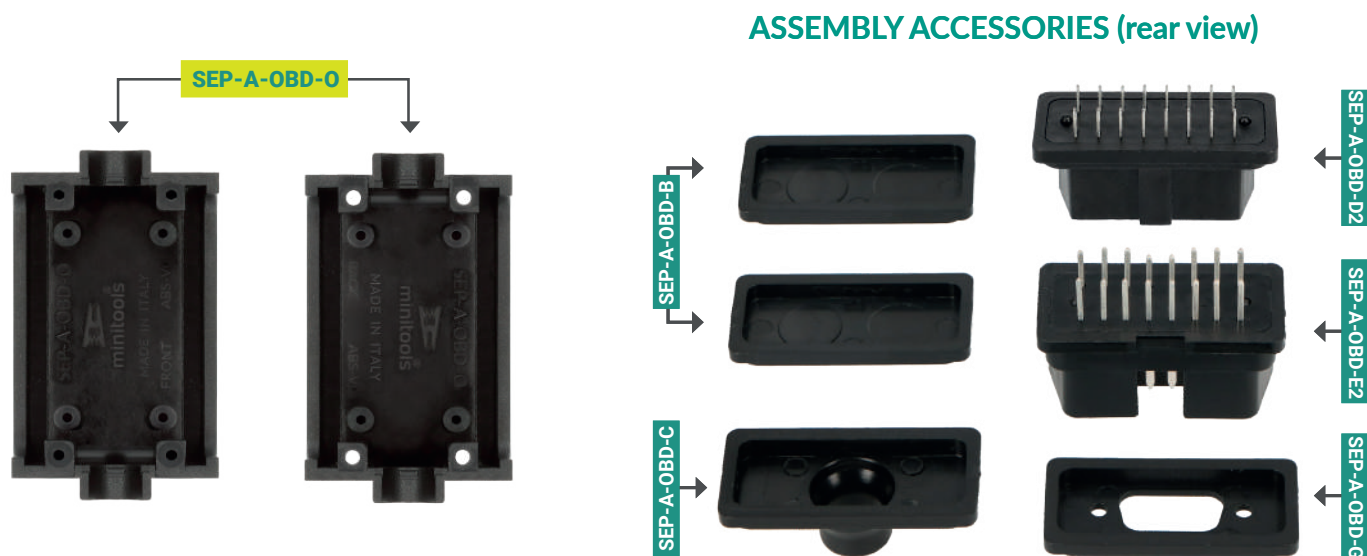


Modular enclosure for various uses, with double cable grommet.

All case components are made in ABS V0 plastic and offer the following characteristics:

- They are **self-extinguishing**;
- They offer **excellent electrical resistance**, protecting electrical systems or electronic circuits;
- They are **resistant to stripping** if screws are used;
- They are **rigid and sturdy** even at low temperatures.

Colour: Black



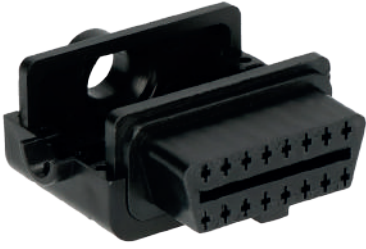

Products details

Code	Description	Size	Datasheet
SEP-A-OBD-O	Central box	55 x 32 x 24 mm	Page 17
SEP-A-OBD-B	Side caps (2 pcs)	43 x 21 x 5 mm	Page 19
SEP-A-OBD-C	Cable grommet cap	43 x 21 x 15 mm	Page 20
SEP-A-OBD-D2	Female OBD2	43 x 21 mm	Page 21
SEP-A-OBD-E2	Male OBD2	43 x 21 mm	Page 22
SEP-A-OBD-G	Milled cap for 9 pin D-sub connector	43 x 21 x 5 mm	Page 23

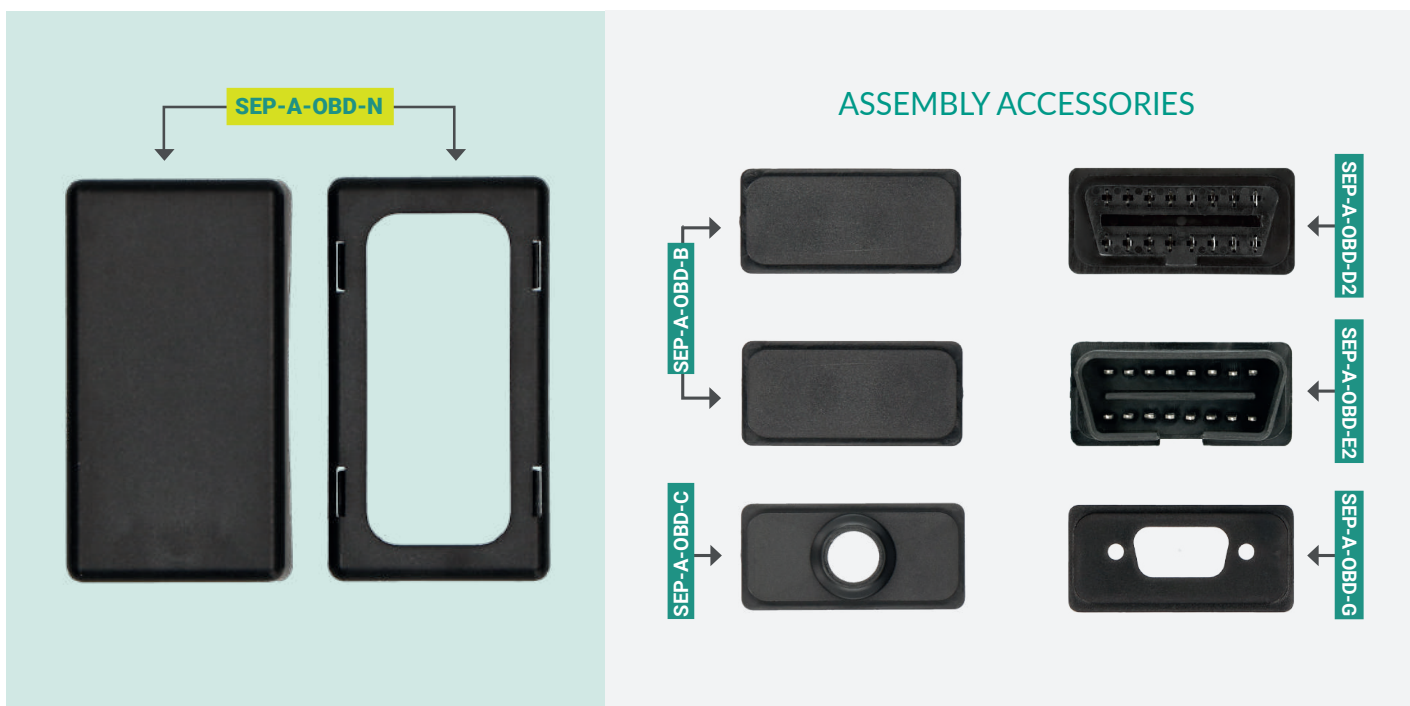
Combinations examples

The case can be assembled in numerous ways.

If SEP-A-OBD-O is fitted to SEP-A-OBD-D2 and SEP-A-OBD-E2, the box can be used as a small male to female OBD2 diagnostic.

SEP-A-OBD-O + SEP-A-OBD-E2 + SEP-A-OBD-B	SEP-A-OBD-O + SEP-A-OBD-C + SEP-A-OBD-E2	SEP-A-OBD-O + SEP-A-OBD-D2 + SEP-A-OBD-B
		
SEP-A-OBD-O + SEP-A-OBD-D2 + SEP-A-OBD-C	SEP-A-OBD-O + SEP-A-OBD-C + SEP-A-OBD-G	SEP-A-OBD-O + SEP-A-OBD-E2 + SEP-A-OBD-D2
		

SEP-A-OBD-N CASE

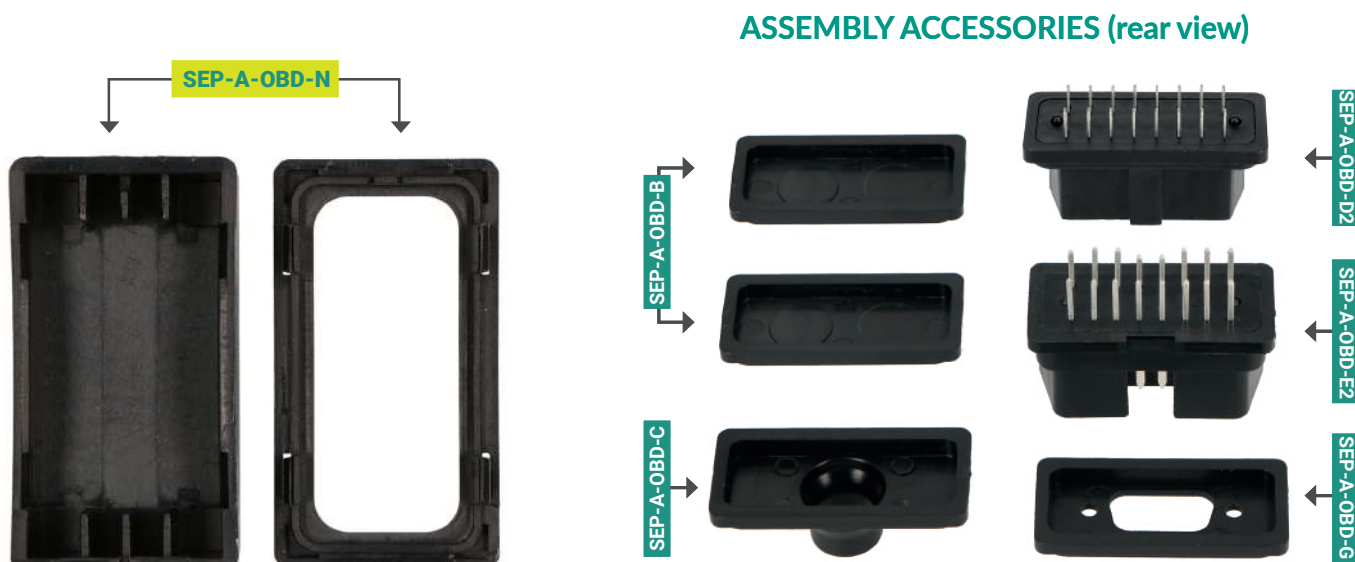


Modular enclosure for electronic components, made in ABS V0 plastic, compatible with OBD2 connectors. Ultra-compact, low profile, ideal for assembling wireless and/or bluetooth cars diagnostic tools.

All cases components are made in ABS V0 plastic and offer the following features:

- They are **self-extinguishing**;
- They offer **excellent electrical resistance**, protecting electrical systems or electronic circuits;
- They are **resistant to stripping** if screws are used;
- They are **rigid and sturdy** even at low temperatures.

Colour: Black




Products details

Code	Description	Size	Datasheet
SEP-A-OBD-N	Central case	50 x 27,4 x 23 mm	Page 18
SEP-A-OBD-B	Side caps (2 pcs)	43 x 21 x 5 mm	Page 19
SEP-A-OBD-C	Cable grommet cap	43 x 21 x 15 mm	Page 20
SEP-A-OBD-D2	Female OBD2	43 x 21 mm	Page 21
SEP-A-OBD-E2	Male OBD2	43 x 21 mm	Page 22
SEP-A-OBD-G	Milled cap for 9 pin D-sub connector	43 x 21 x 5 mm	Page 23

Combinations examples

The case can be assembled in numerous ways.

E.g. if SEP-A-OBD-N is fitted to SEP-A-OBD-D2, it can be used as a wireless / bluetooth female OBD2 connector. If fitted to SEP-A-OBD-E2, it can be used as a wireless / bluetooth male OBD2 connector. If fitted to SEP-A-OBD-C, it can be used as an electronics case with cable grommet.

SEP-A-OBD-N + SEP-A-OBD-B	SEP-A-OBD-N + SEP-A-OBD-C	SEP-A-OBD-N + SEP-A-OBD-D2
		
SEP-A-OBD-N + SEP-A-OBD-E2	SEP-A-OBD-N + SEP-A-OBD-G	
		

CODE	SEP-A-OBD-A
DESCRIPTION	Central box

EXTERNAL VIEW

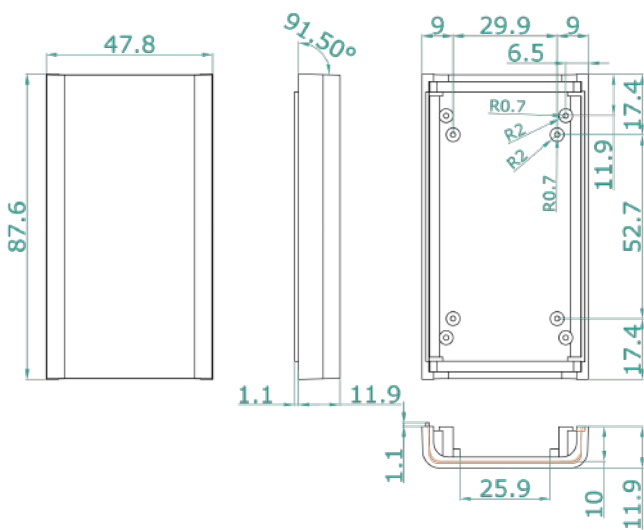


INTERNAL VIEW

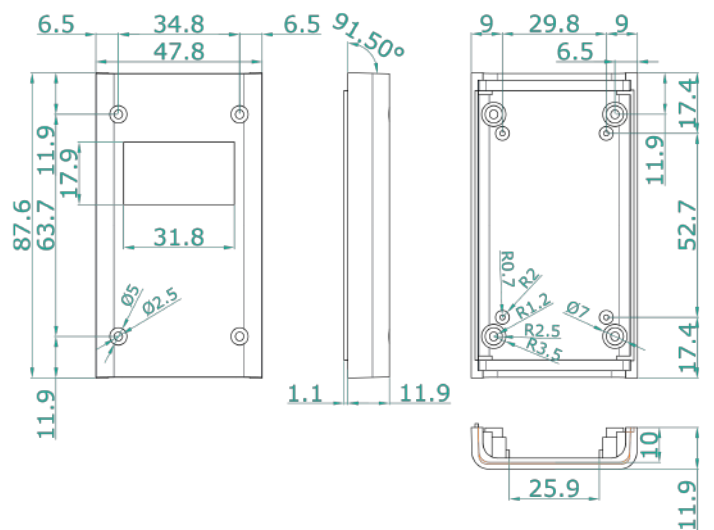


TECHNICAL DETAILS

FRONT



BACK

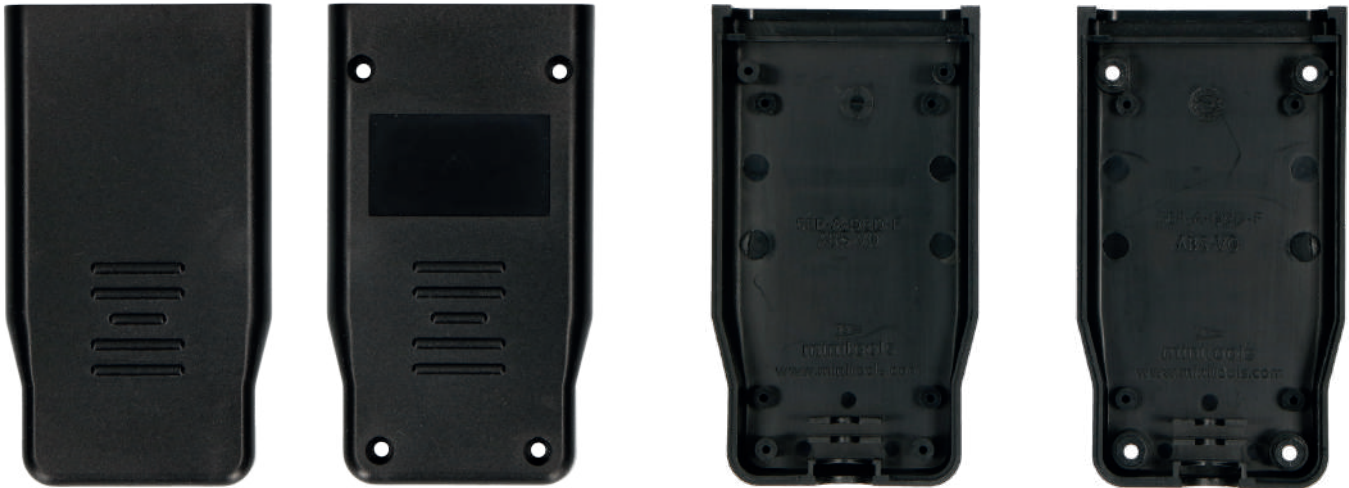


Note: dimensions are in mm

CODE	SEP-A-OBD-F
DESCRIPTION	Central box

EXTERNAL VIEW

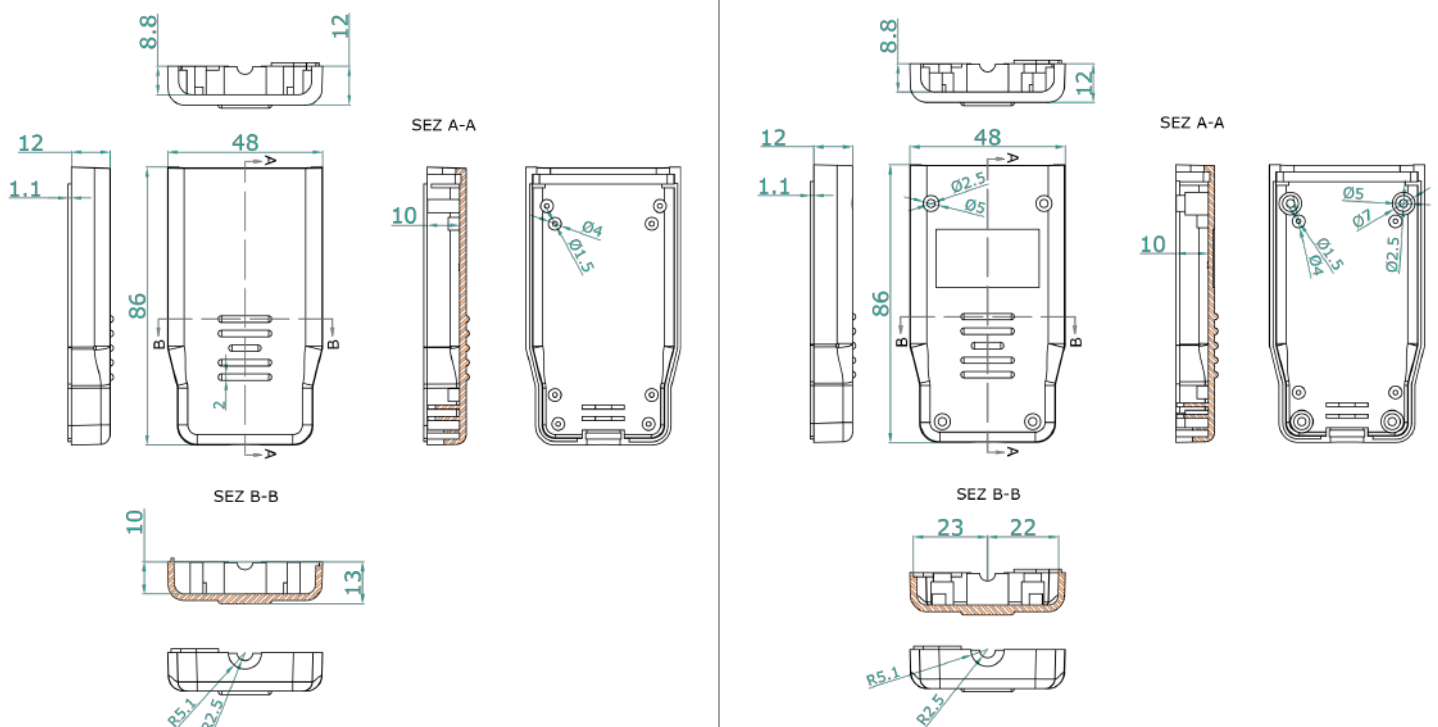
INTERNAL VIEW



TECHNICAL DETAILS

FRONT

BACK

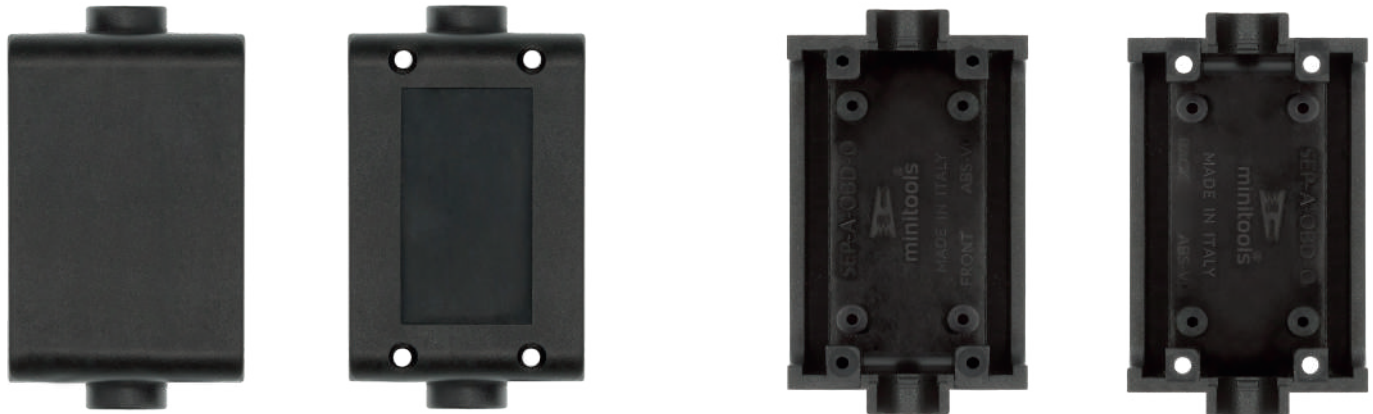


Note: dimensions are in mm

CODE	SEP-A-OBD-O
DESCRIPTION	Central box

EXTERNAL VIEW

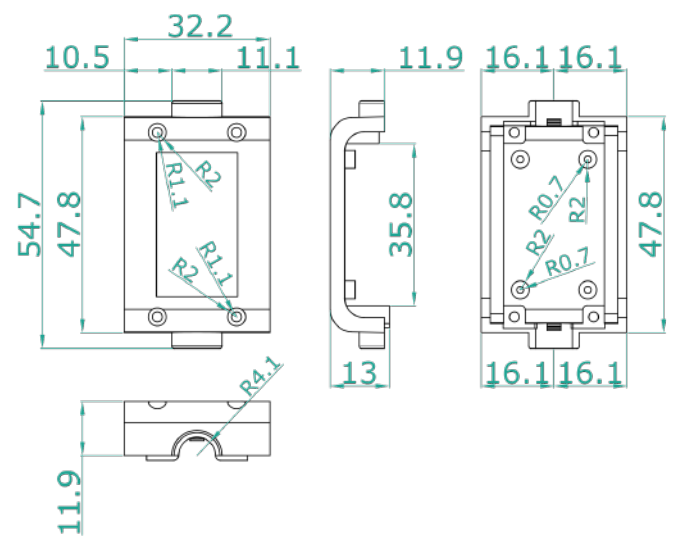
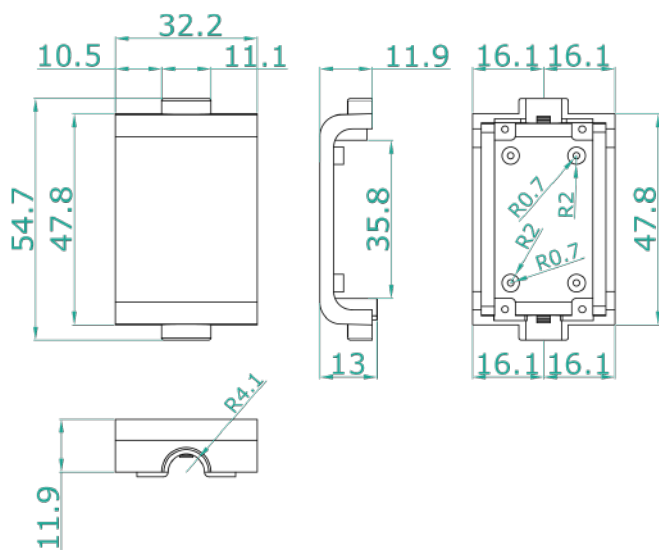
INTERNAL VIEW



TECHNICAL DETAILS

FRONT

BACK



Note: dimensions are in mm

CODE	SEP-A-OB-D-N
DESCRIPTION	Central box

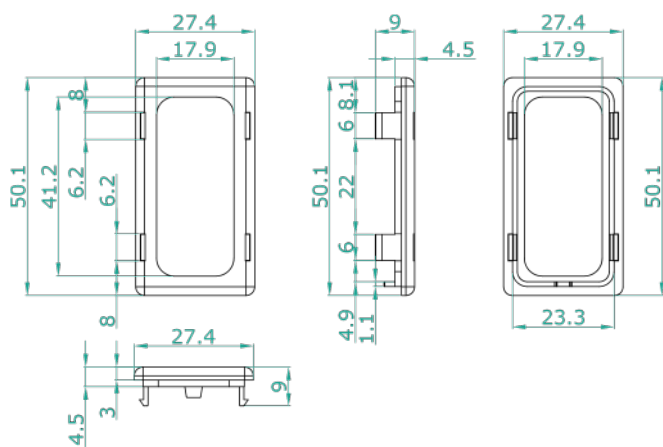
EXTERNAL VIEW

INTERNAL VIEW

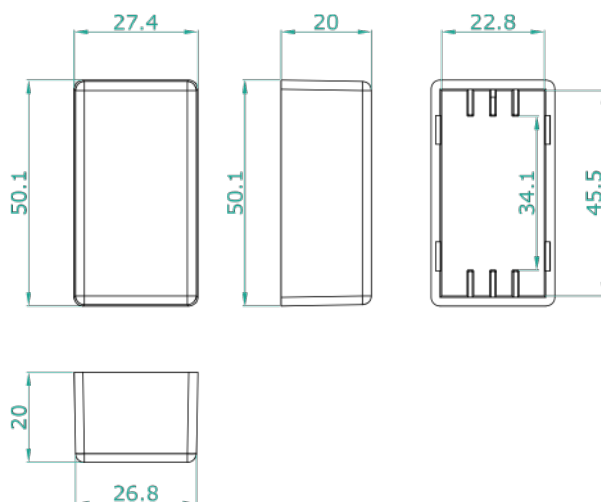


TECHNICAL DETAILS

FRONT



BACK



Note: dimensions are in mm

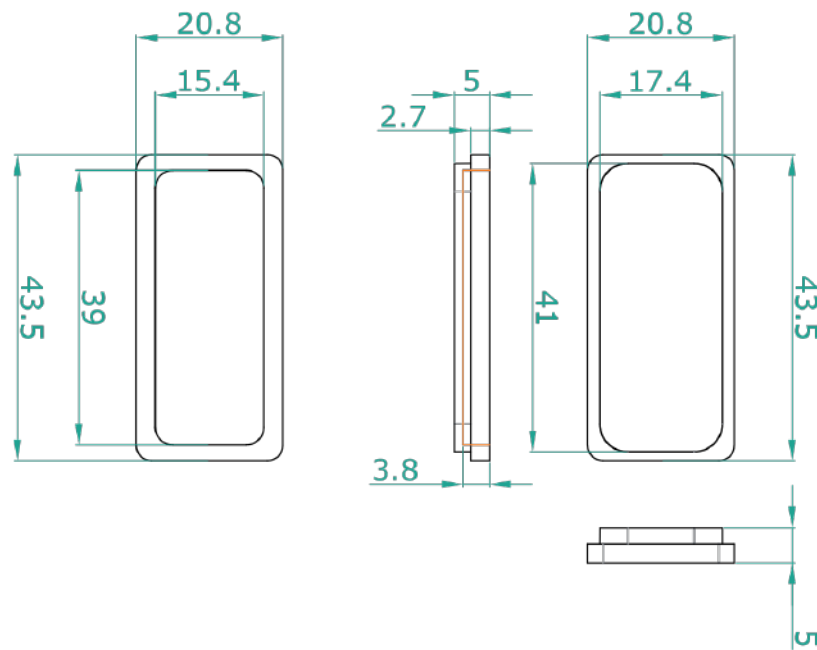
CODE	SEP-A-OBDB-B
DESCRIPTION	Side caps (2pcs)

FRONTAL VIEW

REAR VIEW



TECHNICAL DETAILS



Note: dimensions are in mm

CODE	SEP-A-OB-D-C
DESCRIPTION	Cable grommet cap

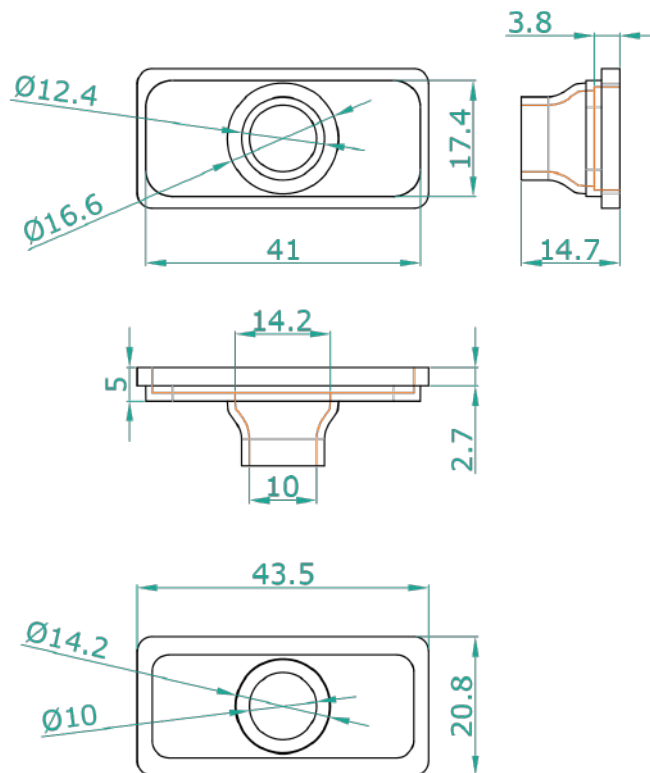
FRONTAL VIEW



REAR VIEW



TECHNICAL DETAILS



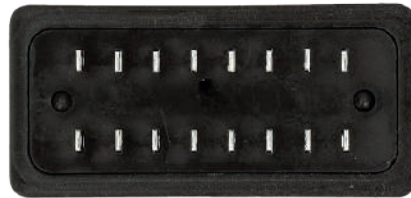
Note: dimensions are in mm

CODE	SEP-A-OB2-D2
DESCRIPTION	Female OBD2

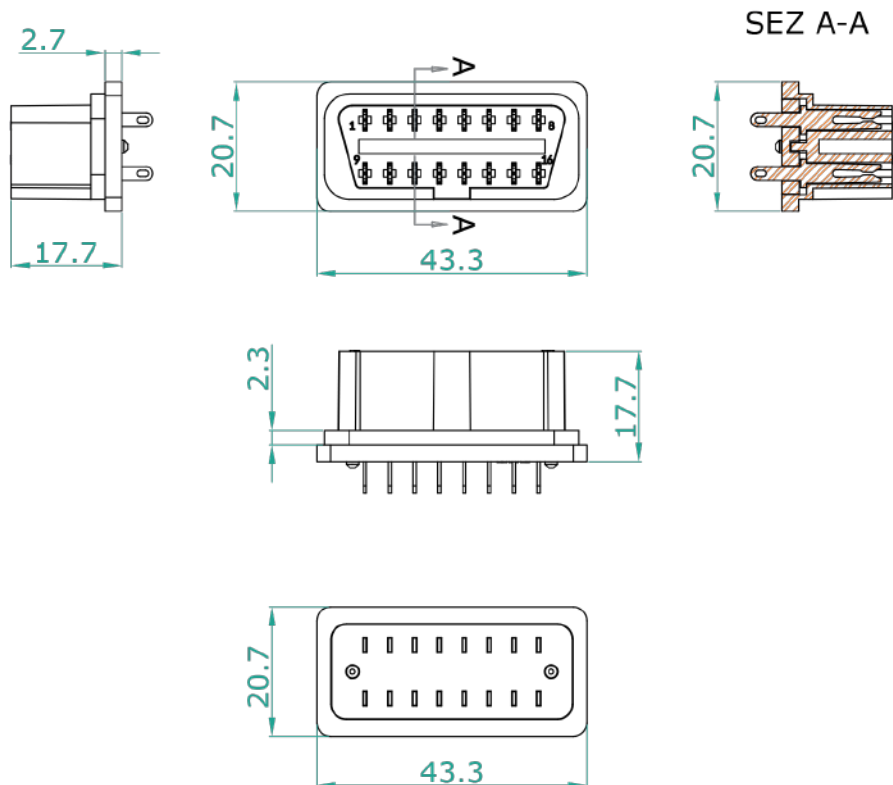
FRONTAL VIEW



REAR VIEW



TECHNICAL DETAILS



Note: dimensions are in mm

CODE	SEP-A-OBD-E2
DESCRIPTION	Male OBD2

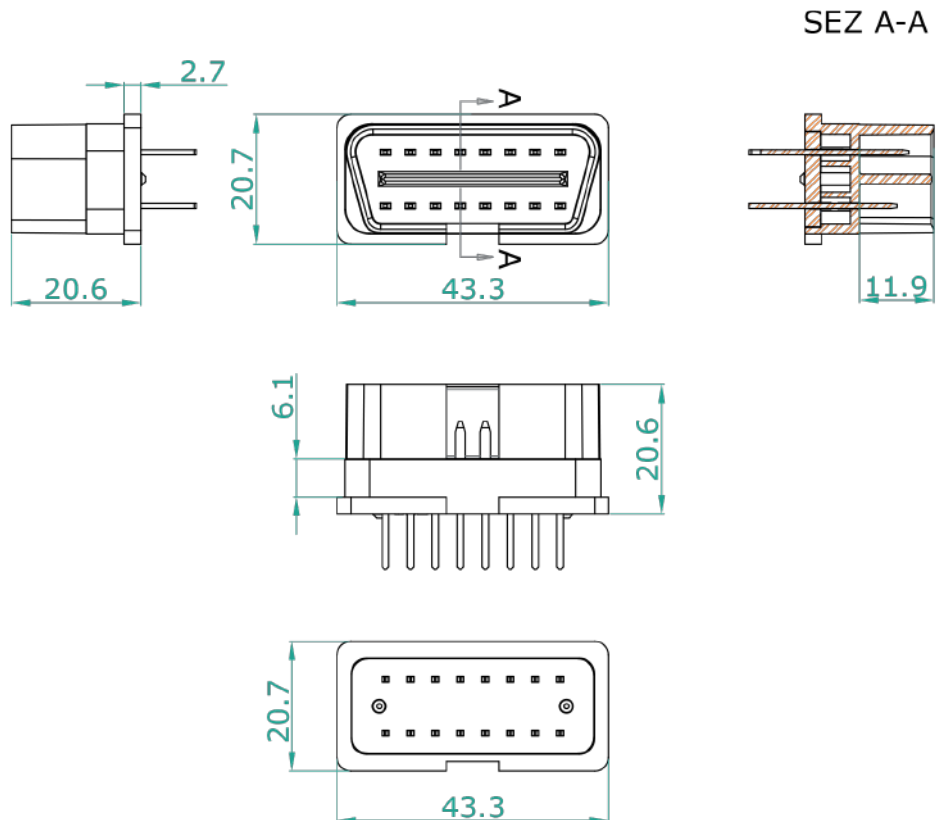
FRONTAL VIEW



REAR VIEW



TECHNICAL DETAILS



Note: dimensions are in mm

CODE	SEP-A-OBG-G
DESCRIPTION	Milled cap for 9 pin D-sub connector

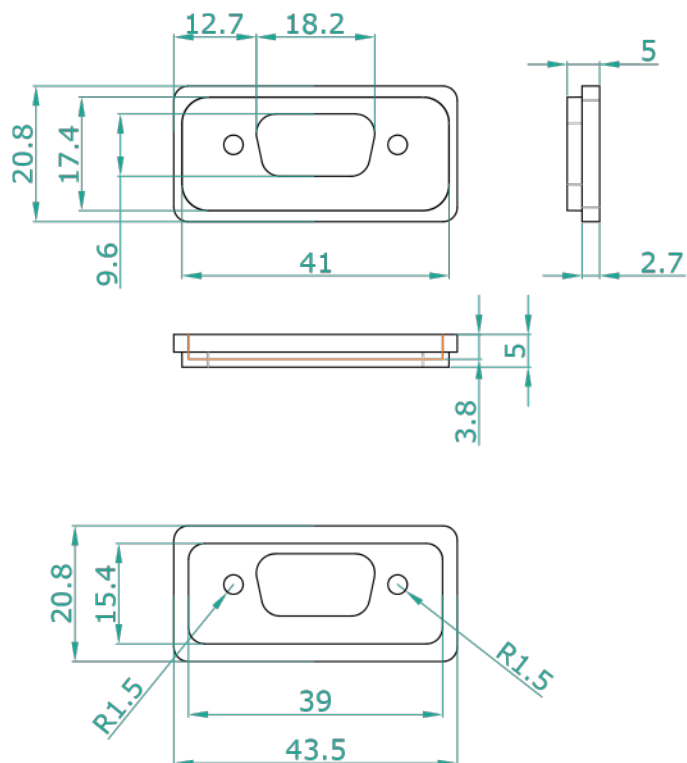
FRONTAL VIEW



REAR VIEW



TECHNICAL DETAILS



Note: dimensions are in mm

Customization

SEP-A-OBDA, SEP-A-OBDF, SEP-A-OBDM, SEP-A-OBDL and SEP-A-OBDO can be personalized with customers' logo or with a particular milling.

	<h3>UV PRINT</h3>	
	<h3>LASER MARKING</h3>	
	<h3>MILLING</h3>	
<p>ADVANTAGES</p> <ul style="list-style-type: none"> • Coloured • More definition and clearness 	<p>DISADVANTAGES</p> <ul style="list-style-type: none"> • More expensive • Less resistant • Long time realization 	
<p>ADVANTAGES</p> <ul style="list-style-type: none"> • Cheaper • Faster to realize • More resistant 	<p>DISADVANTAGES</p> <ul style="list-style-type: none"> • Black and white 	
<p><i>The box can be milled and customized according to their own needs</i></p>		

